

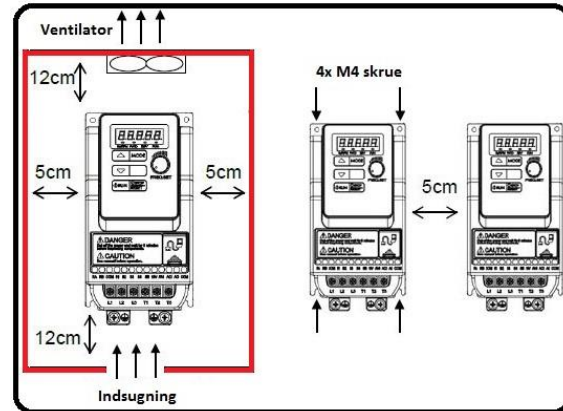


1. Mekanisk Montage.

Vær opmærksom på indbygningsafstande mht. køling.

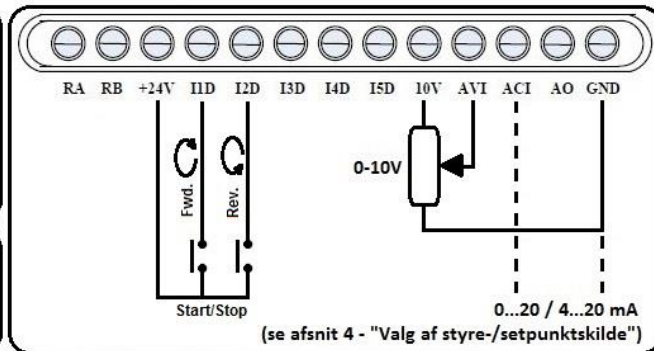
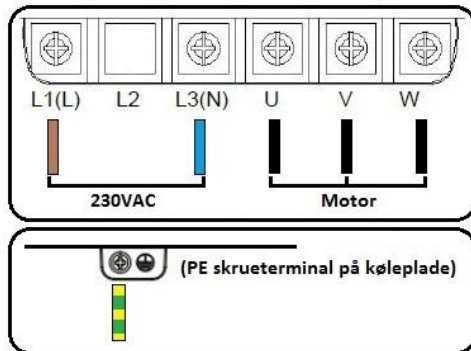
S2U Oversigt

Type	kW	Size
S2U230S-02	0.20	Size 1
S2U230S-03	0.40	Size 1
S2U230S-07	0.75	Size 1
S2U230S-11	1.5	Size 2
S2U230S-13	2.2	Size 2



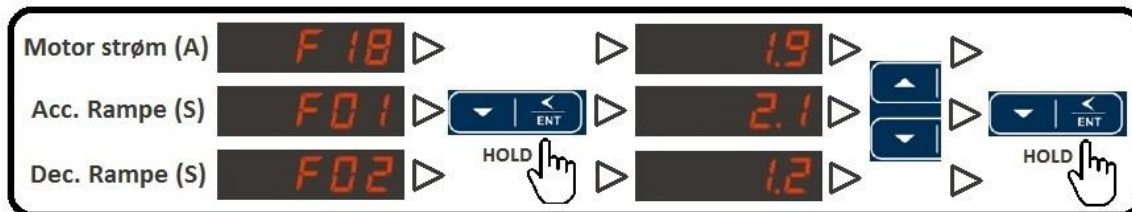
2. Elektrisk Montage.

Fabriksopsætning af styreterminaler vist, ind-/udgange er frit definerbare, -se hovedmanual. Se næste side for sikringsstørrelser.



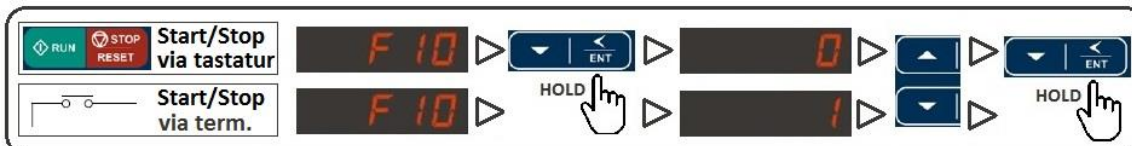
3. Motordata.

Indtast Nominelt ampere (A) fra motor typeskilt samt rampetider i parametre. For grundlæggende betjening af omformer, se næste side.

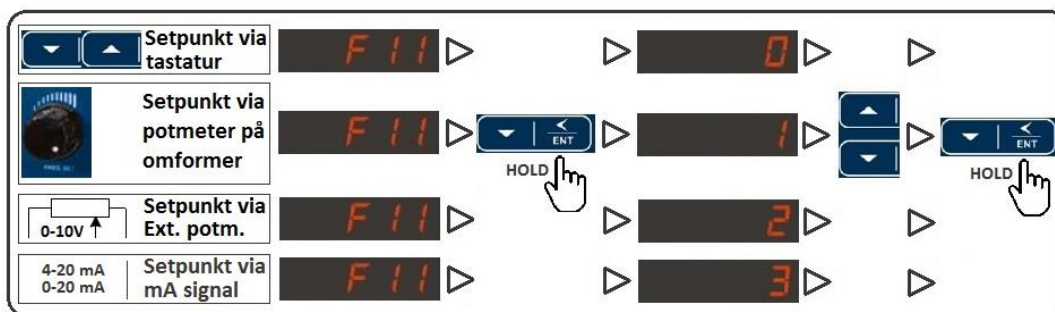


4. Valg af styre-/setpunktskilde.

Opsætning af Start/stop fra terminaler eller tastatur



Opsætning af setpunkt (hastighed) fra potmeter, tastatur eller ext. potmeter



5. S2U er nu klar til brug!

Nedenfor findes parameterliste samt diverse nyttig info. Yderligere features; download hovedmanual på Bonfiglioli.com eller medfølgende CD-ROM. God fornøjelse med S2U!

No.	Description	Range	Factory Setting	Unit	No.	Description	Range	Factory Setting	Unit
F_1	Acceleration Time 1	0.1 ~ 3600.0	10.0	s	F_21	Output Relay (RY1)	0: Run	0	-
F_2	Deceleration Time 1	0.1 ~ 3600.0	10.0	s			1: Fault		
F_3	Operation modes for external terminals	0: Forward/Stop-Reverse/Stop	0	-			2: Setting Frequency Reached		
		1: Run/Stop-Reverse/Forward					3: Frequency Reached (3-13 ± 3-14)		
		2: 3-Wire Control Mode-Run/Stop					4: Output Frequency Detection1 (> 3-13)		
F_4	Motor rotation	0: Forward 1: Reverse	0	-			5: Output Frequency Detection2 (< 3-13)		
F_5	Volts/Hz Patterns	1 ~ 7	1/4	-			6: Auto-Restart		
F_6	Frequency Upper Limit	0.01 ~ 650.00	50.00/60.00	Hz			7: Momentary AC Power Loss		
F_7	Frequency Lower Limit	0.00 ~ 649.99	0.00	Hz			8: Rapid Stop		
F_8	Preset Speed 0 (Keypad Freq)	0.00 ~ 650.00	5.00	Hz			9: Base Block		
F_9	Jog Frequency	1.00 ~ 25.00	2.00	Hz			10: Motor Overload Protection (OL1)		
F_10	Main Run Source Selection	0: Keypad	0	-			11: Drive Overload Protection (OL2)		
		1: External Run/Stop Control					12: Reserved		
		2: Communication					13: Output Current Reached		
F_11	Main Frequency Source Selection	0: Keypad	0	-	14: Brake Control				
		1: Potentiometer on Keypad			F_22	Reverse operation control	0: Reverse command is enabled 1: Reverse command is disabled	0	-
		2: External AVI Analog Signal Input			F_23	Momentary Power Loss and Restart	0: Momentary Power Loss and Restart disable 1: Momentary power loss and restart enable	0	s
		3: External ACI Analog Signal Input					F_24	Number of Auto Restart Attempts	0 ~ 10
		4: External Up/Down Frequency Control			F_25	Reset Drive to Factory Settings	1150: Reset to factory setting. 50Hz system. 1160: Reset to factory setting. 60Hz system.	00000	-
		5: Communication setting Frequency					F_26	Auto _ Run Mode frequency command 1	0.00 ~ 650.00
6: PID output frequency	F_27	Auto _ Run Mode frequency command 2	0.00 ~ 650.00	0.00	Hz				
F_12	Carrier Frequency (kHz)	1 ~ 16	5	KHz	F_28	Direct Running After Power Up	0: Enable Direct run on power up 1: Disable Direct run on power up	1	-
F_13	Volts/Hz Curve Modification (Torque Boost)	0 ~ 10.0	0.0	%	F_29	Software Version	----	-	-
F_14	Stopping Method	0: Deceleration to stop 1: Coast to stop	0	-	F_30	Fault Log (Last 3 Faults)	----	-	-
F_15	DC Injection Brake Time (Seconds) In stop mode	0.0 ~ 25.5	0.5	s	F_31	Parameter Set Select	0: Simplified Parameter Set 1: Complete Parameter Set	0	-
F_16	DC Injection Brake Start Frequency (Hz) In Stop mode	0.10 ~ 10.00	1.5	Hz	13-09	Parameter Set Select	0: Complete Parameter Set 1: Simplified Parameter Set	1	-
F_17	DC Injection Brake Level (%) In stop mode	0 ~ 20	5	%					
F_18	Motor Rated Current (OL1)	----	----	A					
F_19	Multifunction Input Term. 1I2	0: Forward/Stop Command or Run /Stop	0	-					
F_20	Multifunction Input Term. 12D	1: Reverse/Stop Command Or REV/FWD	1	-					

S2U230S-	kW	Sikring
02	0.2	10A, 300VAC
03	0.4	10A, 300VAC
07	0.75	20A, 300VAC
11	1.5	30A, 300VAC
13	2.2	30A, 300VAC

ON ved kørsel forlæns/ baglæns. Blinker ved STOP

ON når parametre vises

ON når setpunkt/hastighed vises

Tastatur - grundlæggende betjening

- MODE**: ind/ud af parametertræ
- ENT**: Bekræft (hold nede)/ skift ciffer (enkelt tryk)
- ENT**: Op/ned til ændring af værdi.
- ENT**: Ved ændring af hastighed, bekræftes med "ENT"
- RUN/STOP**: Start/Stop af S2U

Typiske fejlkoder	Afhjælpning:		
oC-A	Overstrøm v. acceleration	Forøg acc. F_1	Err 1
oC-d	Overstrøm v. deceleration	Forøg dec. F_2	StPO
oL 1	Motor overbelastet	Motor for lille/last for stor	StP 1
oL 2	S2U overbelastet	Motor for stor til S2U	

Parameter kan ikke ændres under kørsel
S2U stoppet da Frekv. < 0.1 Hz
Ingen start pga. køresignal under pwr-up
Fjern fwd/rev signal eller sæt P07-04 til "0"